

Product: **Electric stock pot range**
 Producer: **Gastro-Haal, s.r.o.**

Type: **STE-6H**
 Country of origin: **SR**

Purpose

Electric stock pot range with one square plate serves for catering establishments such as school canteens, restaurants, hospitals, factory catering, military units and others. It is used for cooking or heating food.

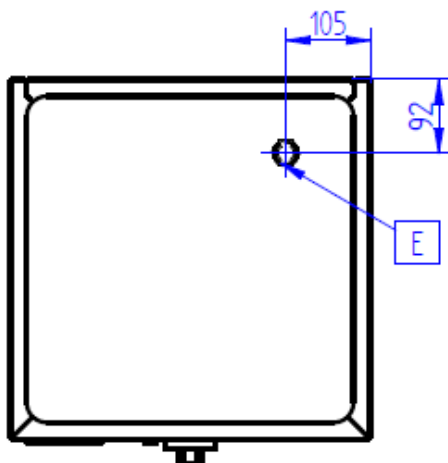
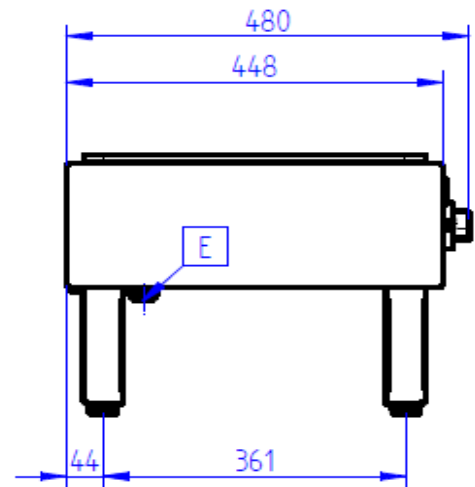
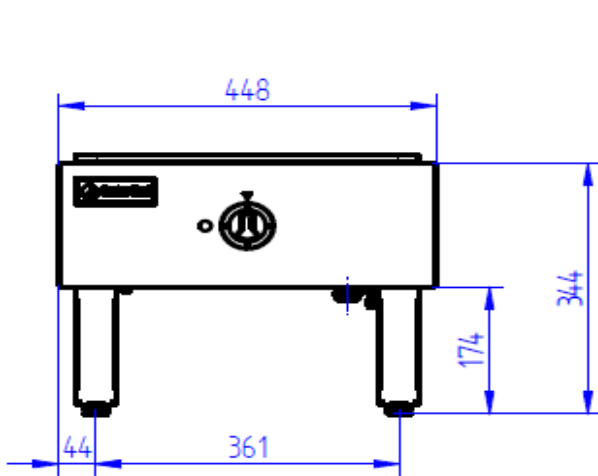
Features of STE-6H:

- **controlled from the front by a four-position power input control switch**
with the help of a button and a light that signals the on state
- **power supply: electricity**
- one square electric plate 6 kW
- double insulation on cables and wires (silicone protection)
- low operating costs
- safe operation
- **self-supporting massive and solid stainless steel construction**
- rounded edges without dangerous corners and protrusions
- adjustable feet
- simple operation, simple service and maintenance



Technical parameters

Type	STE-6H
Description	electric stock pot range
External dimensions (mm) WxDxH	450x480x360 mm
Electric heating plates dimensions (mm) WxD	407x407 mm
Heating	
Nominal input (kW)	6 kW
Nominal voltage (V)	400 V
Nominal current (A)	11 A
Protection	
Index of protection	IP 41
Construction, savings, safety	
Rounded edges without danger corners and protrusions	yes
Adjustable feet	yes
Weight (kg)	40 kg

Technical dimensions


STE-6H	
E	Electric connection