

Product: Stove with stand - electric
Producer: Gastro-Haal, s.r.o.
Type: VE-920 A
Country of origin: SR

Purpose

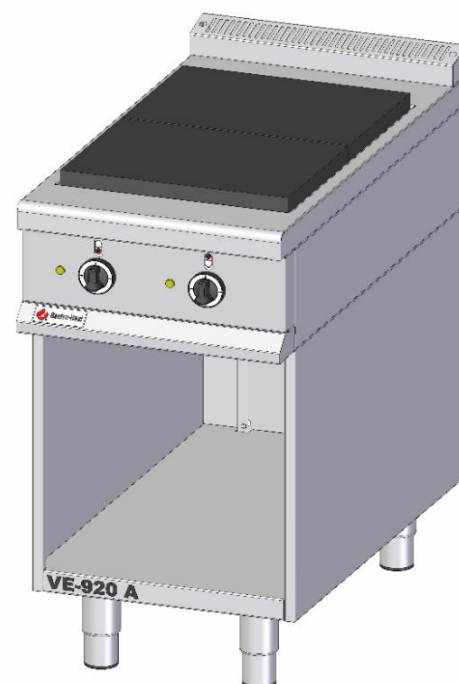
Electric stove with stand serves for large-capacity cooking of meals. It is designed for food establishments such as school canteens, restaurants, hospitals, factory catering, military units and others. Thanks to the high quality stainless steel material and components. It is extremely resistant, economical, and powerful device that facilitates cooking in a large capacity.

Features of VE-740 A:

Upper part: 2 powerful square cooking plates

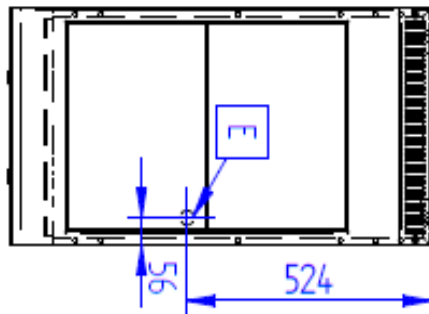
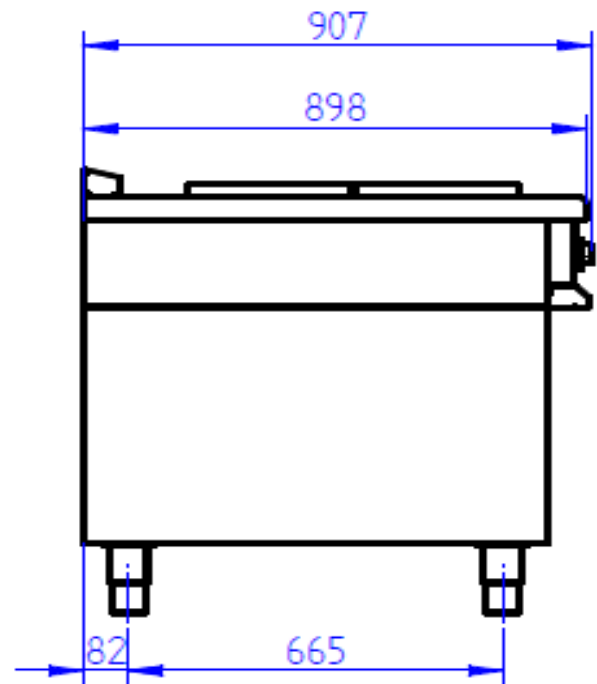
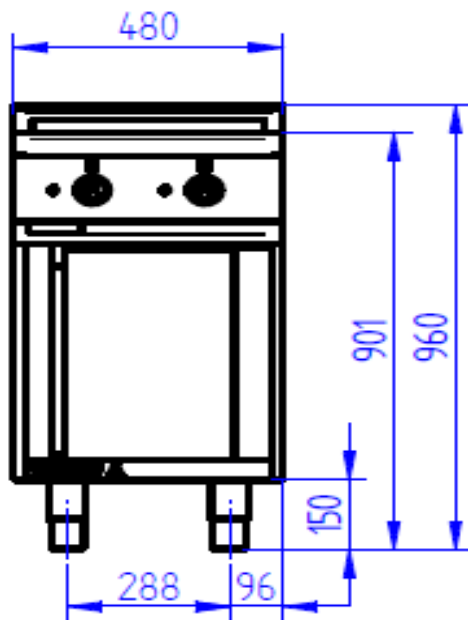
Construction:

- self-supporting massive and solid construction
- rounded edges without dangerous corners and protrusions
- slope design of the chimney on the top plate for safety
- removable chimney in the back of the device
- **pedestal as a storage space**
- adjustable feet
- simple operation, low consumption and low operating costs



Technical parameters

Line	900
Type	VE-920 A
Description	electric stove with stand
External dimensions (mm)	480x900x900
Electric heating plates (pc)	2 square (415x293 mm)
Heating	
Input of heating plates (kW)	4x3 kW
Input in total (kW)	6 kW
Nominal voltage	3 N - 400V, 50 Hz
Nominal current (A)	13,5 A
Protection	
Index of protection	IP 41
Construction, savings, safety	
Rounded edges without danger corners and protrusions	yes
Adjustable feet	yes
Weight (kg)	90 kg
Options for extra fees according of valid Price list	
Enameled trays	yes (extra fee)
Stainless steel rack	yes (extra fee)

Technical dimensions


VE-920 A	
E	Electric connection