

Product: **Stove with stand - gas**  
 Producer: **Gastro-Haal, s.r.o.**

Type: **VP-740**  
 Country of origin: **SR**

### Purpose

Gas stove with stand serves for large-capacity cooking of meals. It is designed for food establishments such as school canteens, restaurants, hospitals, factory catering, military units and others. Thanks to the high quality stainless steel material and components, it is extremely resistant, economical and powerful device that facilitates cooking in a large capacity.

### Features of VP-740:

**Upper part:** cooking area with four gas burners  
 - 4 powerful burners

#### Construction:

- self-supporting massive and solid construction
- rounded edges without dangerous corners and protrusions
- slope design of the chimney on the top plate for safety
- removable chimney in the back of the device
- **pedestal as a storage space**
- adjustable feet
- simple operation, low consumption and low operating costs

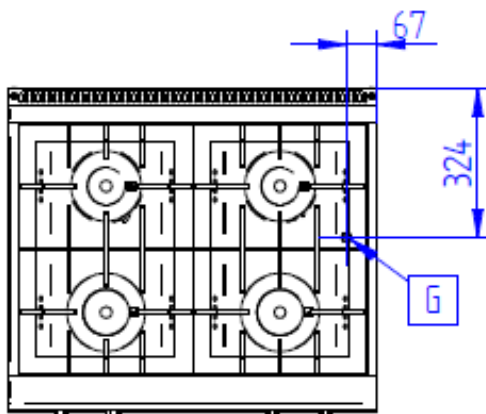
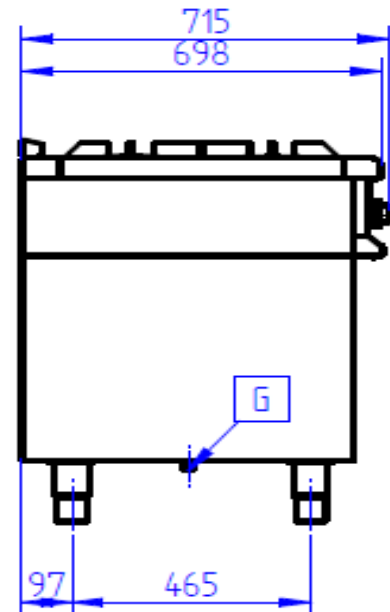
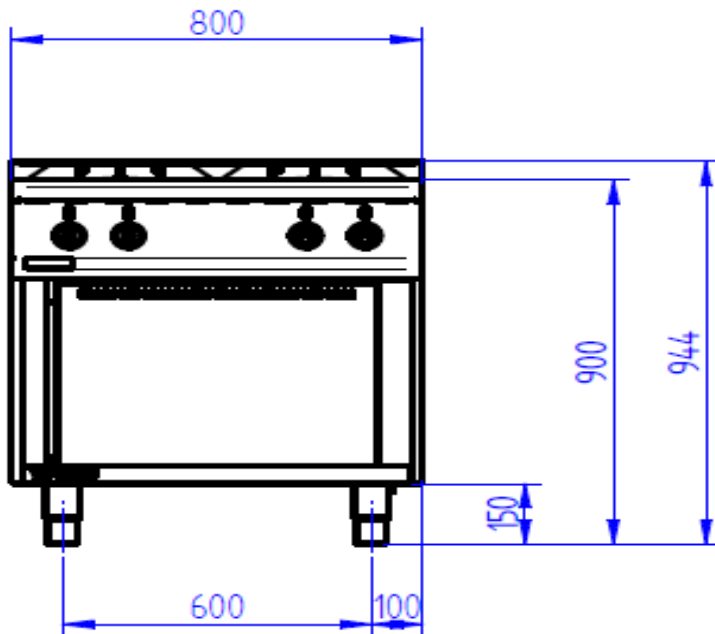


### Technical descriptions

<b>Line</b>	700
Type	<b>VP-740</b>
Description	gas stove with stand
External dimensions (mm)	800x700x900
Gas burners (pc)	4 pc
<b>Heating</b>	
Gas connection (")	1/2"
Input of burners (kW)	2x3,7/2x4,8 kW
Input in total	17 kW
Nominal gas pressure (G-20) kPa	2
Nominal gas pressure G31- propane - I3P (kPa)	3,7
Gas consumption G20 - I2H (m <sup>3</sup> /h)	1,7
Gas consumption G31 propane - I3P (m <sup>3</sup> /h)	0,66
Gas consumption G31 propane - I3P (kg/hod)	1,33
<b>Construction, savings, safety</b>	
Rounded edges without danger corners and protrusions	yes (extra fee)
Adjustable feet	yes (extra fee)
Weight (kg)	62 kg

Options for extra fees according of valid Price list	
Enameled trays	yes (extra fee)
Stainless steel rack	yes (extra fee)

### Technical dimensions



VP-740	
G	Gas connection