

TECHNICAL DATA SHEET

Equipment:	Electric stove
Type:	P.VE-740-A
Product line:	Practic
Manufacturer:	Gastro-Haal, s.r.o.
Country of origin:	Slovakia



Usage

The electric stove is used for large-capacity meal preparation. It is most commonly used in mass catering operations such as school canteens, restaurants, hospitals, military units, and similar facilities.

Practic

TOP attributes of Gastro-Haal electric stoves from the Practic product line are:

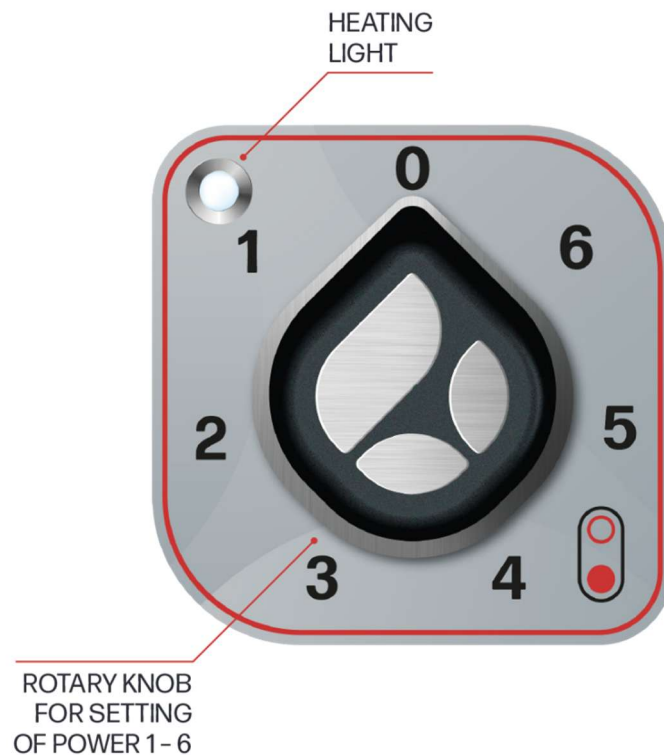
- ✓ **Large cooking surface, suitable for both small and large pot and pan volumes.**
- ✓ High performance, easy operation, low consumption.
- ✓ **Self-supporting, solid, and sturdy construction with long service life.**
- ✓ Robust metal controls with safety features and water resistance rated IP65.

ELECTRIC STOVE CONTROLS

- **Main rotary knob for setting heating power, indicator light signalling active heating process**

6 levels of heating power

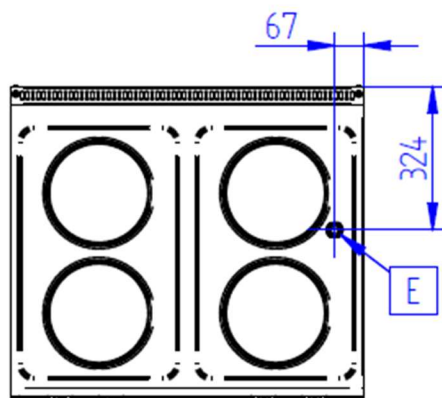
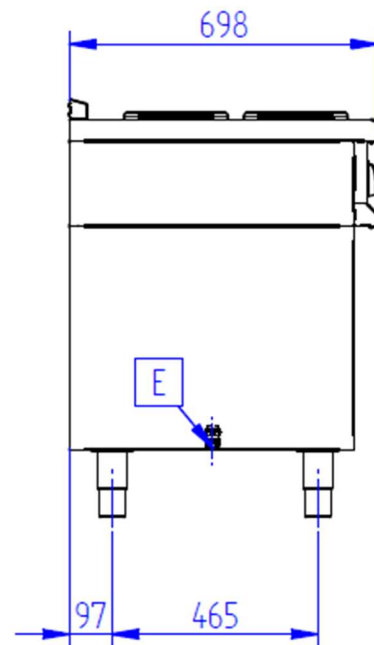
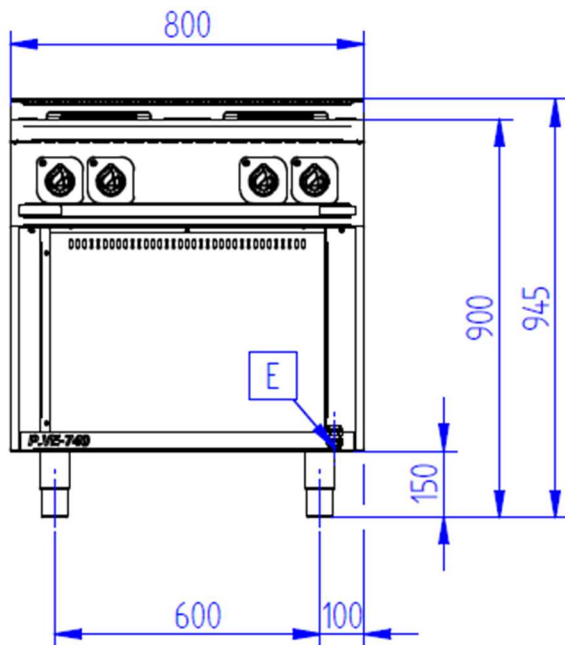
0 - Without heating / In the range = **1 - 6**



TECHNICAL DESCRIPTIONS

Line	900
Type	P.VE-740-A
Product line	Practic
Equipment	electric stove with stand
External dimensions (mm) wxdxh	800x700x900 mm
Electric plates (pcs)	4 round (Ø 220 mm)
Weight (kg)	60 kg
Heating	
Electric plates input (kW)	4x2,6 kW
Input electric oven (kW)	10,5 kW
Nominal voltage (V)	3 N - 400V, 50Hz
Nominal current (A)	20 A
Protection	
Index IP	IP 41
Index IP of control elements	IP 65
Construction, savings, safety	
Rounded edges without danger corners and protrusions	yes
Adjustable feet	yes

TECHNICAL DIMENSIONS



P.VE-740	
E	Electric connection