

Product: **Potato peeler**
Producer: **Gastro-Haal, s.r.o.**

Type: **SKZ-15** a **SKZ-25**
Country of origin: **SR**

Purpose

Potato peelers are used for large-scale potato cleaning. They are designed for catering operations such as school canteens, restaurants, hospitals, company catering, military units and others. Ensures efficient cleaning of potatoes with minimal waste.

Potato peelers have features such as:

- **Model SKZ-15** = min. 8kg / opt. 2kg / max. 15kg potatoes
- Cleans 200-400kg of potatoes per hour

- **Model SKZ-25** = min. 20kg / opt. 25kg / max. 30kg zemiakov
- Cleans 400-600kg of potatoes per hour

- **The all-stainless steel material** ensures high rust resistance and a long service life.
- Peeled potatoes in 1.5-2min
- **Carborundum on the sides and on the cleaning disc** at the bottom
- 3x more used carborundum material
- **RINSE FUNCTION UNDER THE CLEANING DISC**



SKZ-15



SKZ-25

Waste catcher LO-1

It is an additional accessory for an additional fee. The waste trap separates the peels and dirt from the water, thus separating the waste and not letting large particles into the waste channel.

Rinse function under the cleaning disc

The peeler has **two valves**, one valve fills water into the cleaning area where the potatoes are cleaned, the other valve has the task of bringing water to the space under the cleaning plate - i.e. where dirt is stored, and you normally can't get there. No more deposits and waste under the cleaning disc, so the scraper will always be clean and hygienically in the highest order!

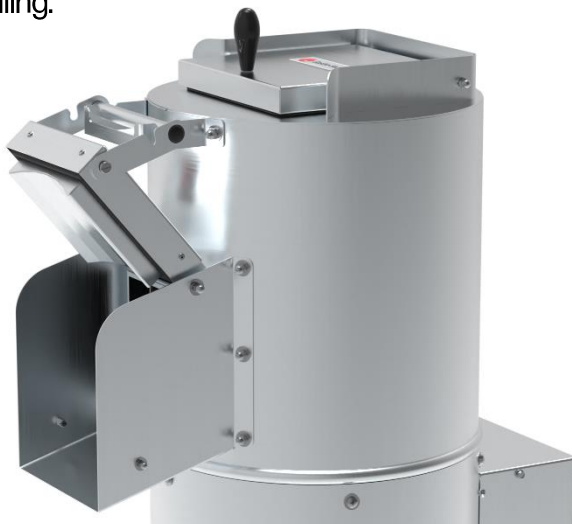
Carborundum on both the sides and the disc.

The disc has specially shaped dynamic lines.



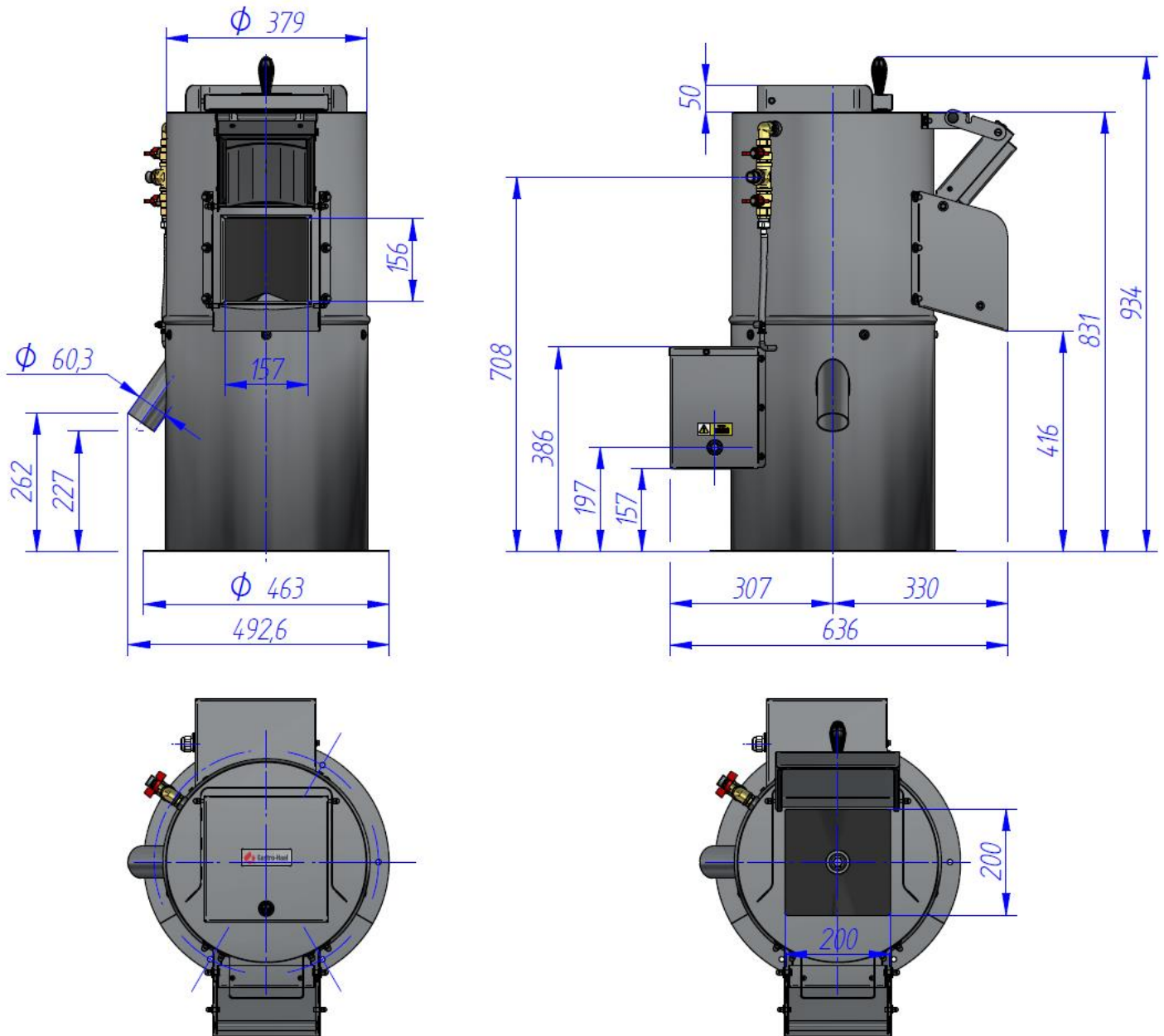
Safety grip

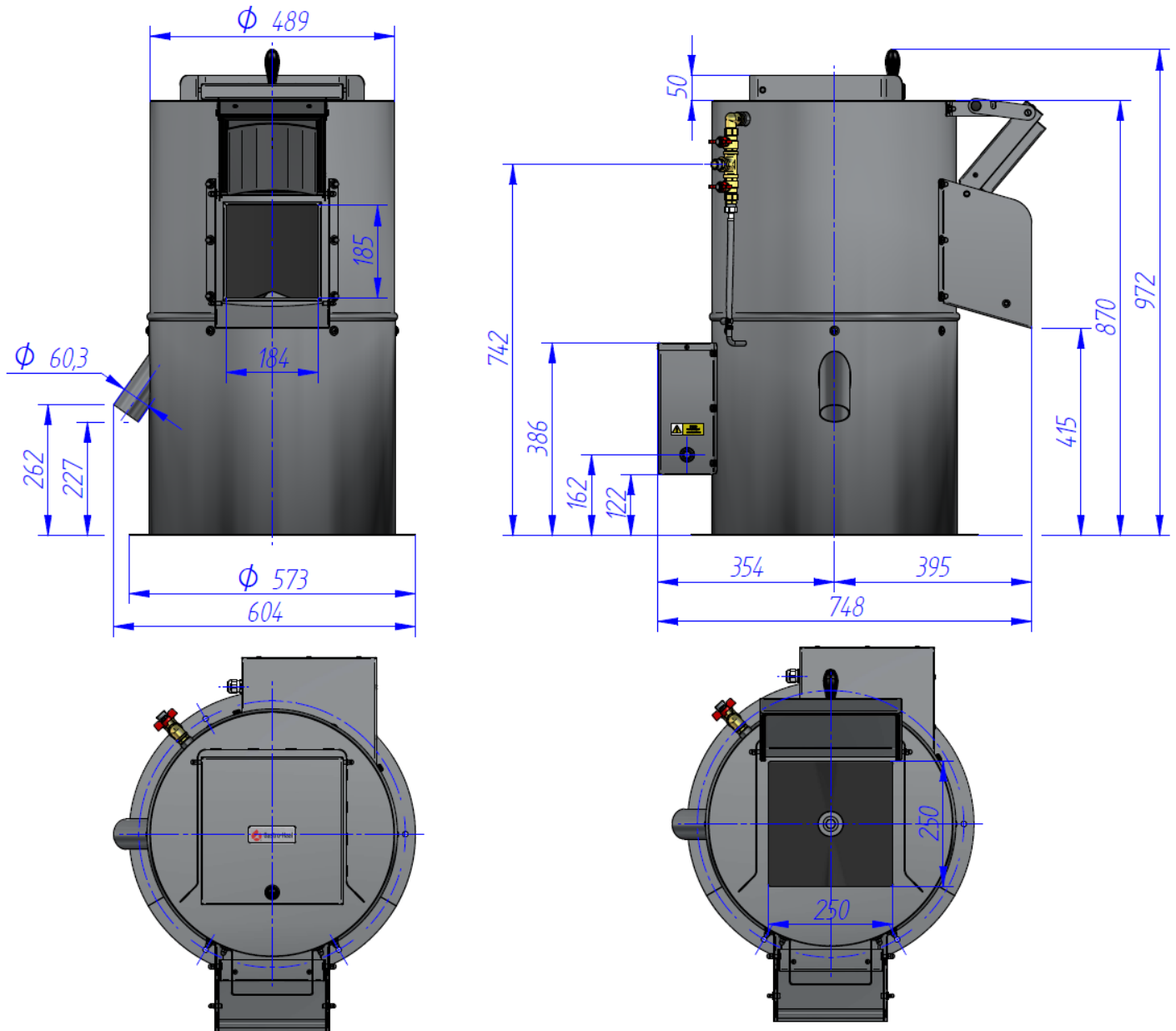
It ensures that the drain door does not fall off spontaneously during handling.



Technical parameters

Description	SKZ-15	SKZ-25
Device	Electric potato peeler	Electric potato peeler
External dimensions (mm)	493x638x934 mm	604x748x972 mm
Capacita (kg)	min. 8 kg / opt. 12 kg / max. 15 kg	min. 20 kg / opt. 25 kg / max. 30 kg
Connection, performance		
Nominal power (kW)	0,55 kW	0,75 kW
Nominal Voltage (V)	3 N - 400V, 50Hz	3 N - 400V, 50Hz
Nominal current (A)	1,5 A	2 A
Average cleaning performance (kg/hour)	200-400 kg/hod	400-600 kg/hod
One-cycle time (min)	1,5 - 2,0 min	1,5 - 2,0 min
Cleaning efficiency (%)	80%	80%
Sound pressure level (db)	less than 70dB when idling	less than 70dB when idling
Cover, water		
Cover IP	IP 54	IP 54
Water connection (")	1/2"	1/2"
Waste outlet (mm)	fi 60,3 mm external dimension	fi 60,3 mm external dimension
Construction, saving, safety		
External material	stainless steel	stainless steel
Sides inside the peeler	carborundum	carborundum
The bottom of the peeler inside	carborundum cleaning disc	carborundum cleaning disc
Weight (kg)	70 kg	95 kg
Cleaning the area under the cleaning disk	Yes	Yes
Features for an additional fee		
LO-1		
Description	Waste catcher for the potato peeler	
External dimensions (mm)	250 x 225 x 250 mm	
Weight (kg)	3 kg	
Waste outlet external dimension	Ø 48 mm / G11/4	

Connection dimensions SKZ-15


Connection dimensions SKZ-25


Technical dimensions**LO-1**